

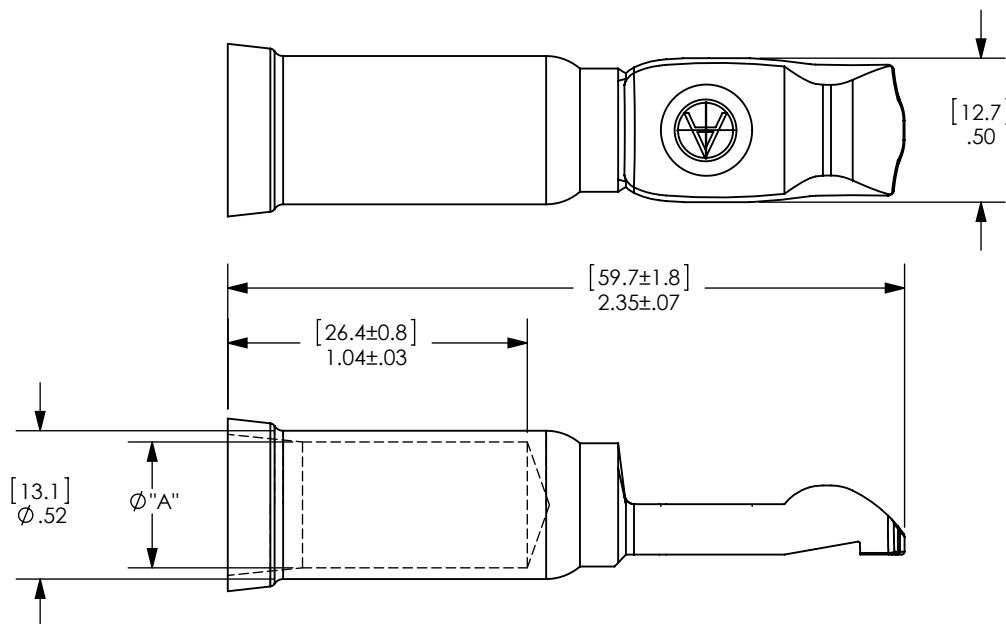
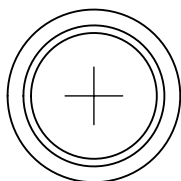
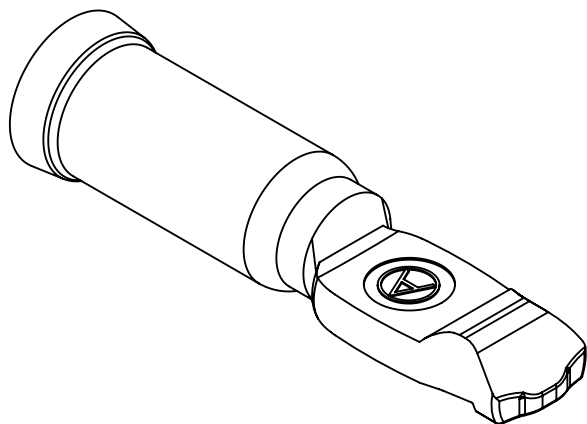
THE INFORMATION CONTAINED IN THIS DRAWING IS THE SOLE PROPERTY OF ANDERSON POWER PRODUCTS. ANY REPRODUCTION IN PART OR WHOLE WITHOUT THE WRITTEN PERMISSION OF ANDERSON POWER PRODUCTS IS PROHIBITED.

**Copyright 2011**

ANDERSON POWER PRODUCTS RESERVES THE RIGHT TO ALTER PRODUCT TYPES, THEIR TECHNICAL DATA, DIMENSION, STYLE AND ACCESSORIES WITHOUT PRIOR NOTIFICATION.

**CRIMP BARREL FLARE VARIES PER CONTACT**

3



øA

CAT. NO.	WIRE SIZE	INCH	MM
1347	#1 AWG	0.39	9.9
1383	#2 AWG	0.35	8.9
1384	#4 AWG	0.30	7.6
1382 2	1/0	0.44	11.2

REV.	DESCRIPTION	APPRV	DATE
3	ECRN-15344 ADDED NOTE	TWE	2/22/2013
2	ECRN-15342 ADDED CAT.#1382 TO TABLE	TWE	2/21/13
1	ECRN-15003 FIXED DWG # CONFLICT	JHN	10/27/2011

REVISIONS

DIMENSIONS ARE IN:	INCH [MM]	<b>APPROVALS</b>		<p><b>ANDERSON POWER PRODUCTS</b></p> <p>TITLE</p> <p>OUTLINE PP180 / SB175 CONTACTS</p>		
UNLESS OTHERWISE STATED		DRAWN	TWE 4/28/2011			
TOLERANCES:		CHECKED	LLD 4/28/2011			
DECIMALS (INCH) .XX ±.02		MFG APPRV	CHB 4/28/2011			
		QC APPRV	UFN 4/28/2011			
SURFACE FINISH:		ENG APPRV	CMS 4/28/2011	SIZE	DWG NO.	REV.
MACHINED 128µin [3.2µ]				A	113878S1	3
MOLDED 64µin [1.6µ]				SCALE	CADFILE	SHEET
MATERIAL: COPPER ALLOY				NONE	01065	1 OF 1
FINISH: SILVER PLATE				-CAD GENERATED DRAWING- DO NOT MANUALLY UPDATE DO NOT SCALE		
<p>3rd ANGLE PROJECTION</p>						