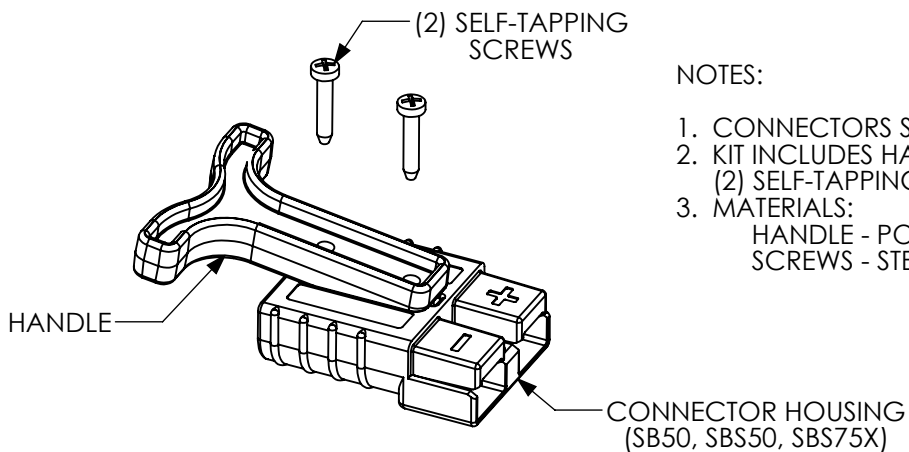


THE INFORMATION CONTAINED IN THIS DRAWING IS THE SOLE PROPERTY OF ANDERSON POWER PRODUCTS. ANY REPRODUCTION IN PART OR WHOLE WITHOUT THE WRITTEN PERMISSION OF ANDERSON POWER PRODUCTS IS PROHIBITED.

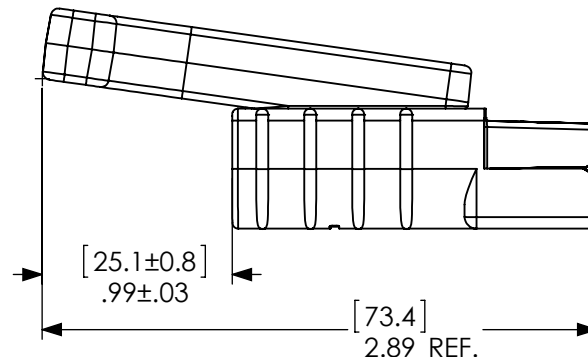
**Copyright 2012**

ANDERSON POWER PRODUCTS RESERVES THE RIGHT TO ALTER PRODUCT TYPES, THEIR TECHNICAL DATA, DIMENSION, STYLE AND ACCESSORIES WITHOUT PRIOR NOTIFICATION.

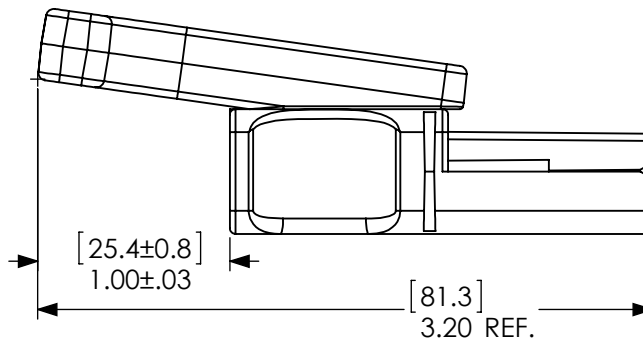
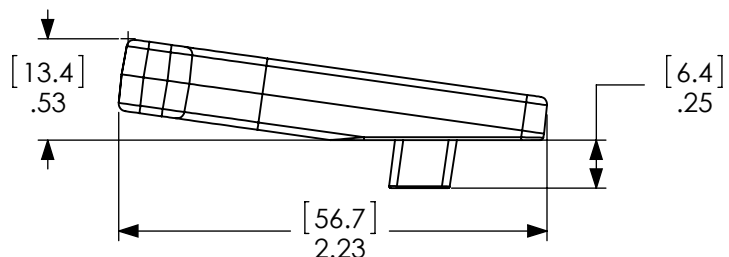


**NOTES:**

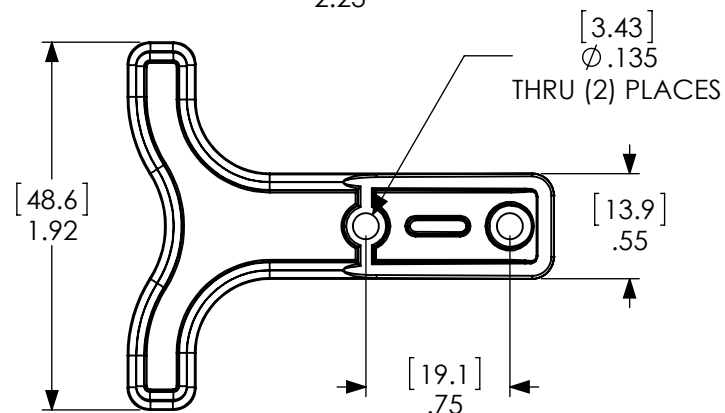
1. CONNECTORS SOLD SEPARATELY
2. KIT INCLUDES HANDLE AND (2) SELF-TAPPING SCREWS
3. MATERIALS:  
HANDLE - POLYCARBONATE  
SCREWS - STEEL, ZINC-PLATED



**SB50 MOUNTING ORIENTATION**



**SBS50 & SBS75X MOUNTING ORIENTATION**



DIMENSIONS ARE IN:		INCH [MM]		<b>APPROVALS</b>		<b>ANDERSON POWER PRODUCTS</b>	
UNLESS OTHERWISE STATED				DRAWN	GN	6/3/1996	TITLE PLASTIC HANDLE FOR USE WITH SB50, SBS50, SBS75X CONNECTORS (CAT. NO. SB50-HDL-RED)
TOLERANCES:				CHECKED	CMS	8/25/1997	
DECIMALS (INCH)	DECIMALS (MM)	ANGLES		MFG APPRV	KJ	8/25/1997	
.XX ± .02	.X ± .5	±2°		QC APPRV	DJM	8/26/1997	
SURFACE FINISH:				ENG APPRV	UFN	8/26/1997	SIZE A
MACHINED 128µin [3.2µ]				MATERIAL: SEE NOTES		DWG NO.	113923S1
MOLDED 64µin [1.6µ]				FINISH: SEE NOTES		REV.	5
3rd ANGLE PROJECTION				-CAD GENERATED DRAWING- DO NOT MANUALLY UPDATE DO NOT SCALE		SCALE	NONE
						CADFILE	01422
						SHEET	1 OF 1

REV.	DESCRIPTION	APPRV	DATE
5	ECRN-15038 REVISE AND REDRAW	TWE	1/13/12
4	ECRN-14347 REVISE AND REDRAW	AMS	11/17//08
REVISIONS			