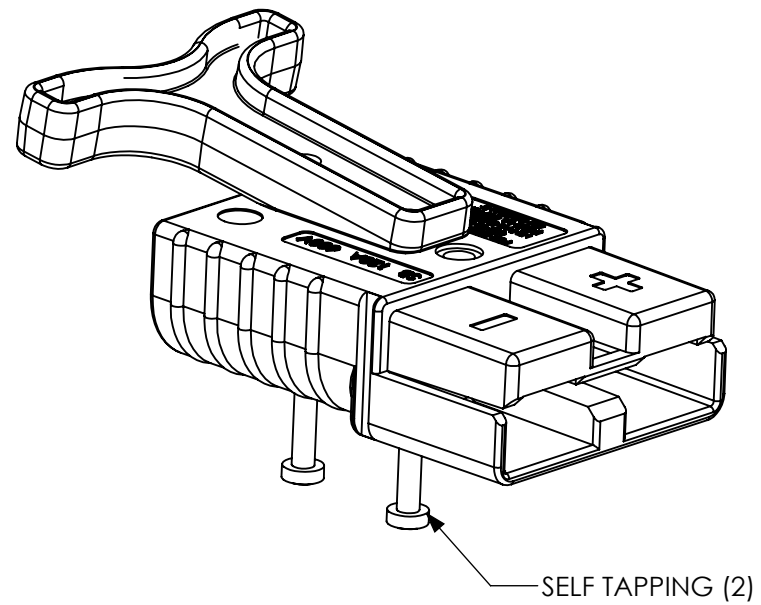
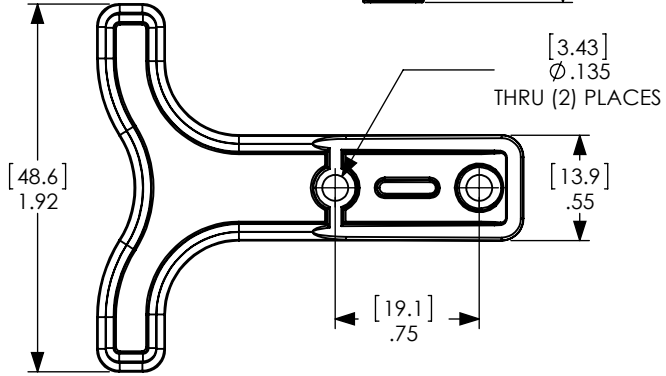
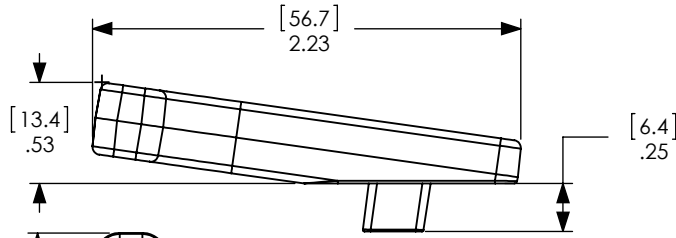
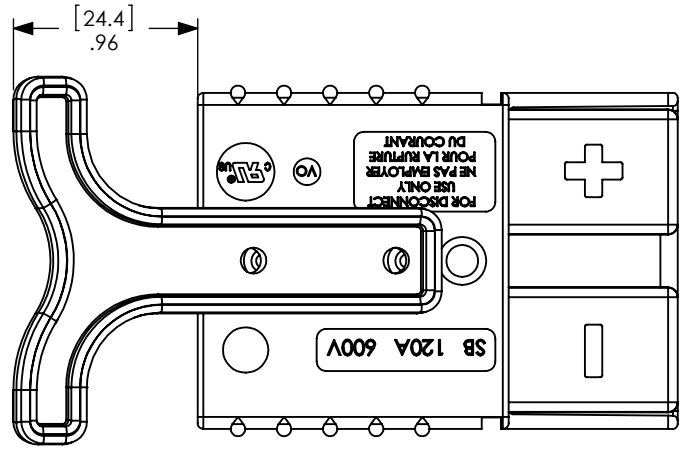


THE INFORMATION CONTAINED IN THIS DRAWING IS THE SOLE PROPERTY OF ANDERSON POWER PRODUCTS. ANY REPRODUCTION IN PART OR WHOLE WITHOUT THE WRITTEN PERMISSION OF ANDERSON POWER PRODUCTS IS PROHIBITED.

Copyright 2002

ANDERSON POWER PRODUCTS RESERVES THE RIGHT TO ALTER PRODUCT TYPES, THEIR TECHNICAL DATA, DIMENSION, STYLE AND ACCESSORIES WITHOUT PRIOR NOTIFICATION.



NOTES:

1. SCREWS: STEEL, ZINC PLATED
2. KIT INCLUDES HANDLE AND TWO SELF TAPPING SCREWS
3. CONNECTOR SOLD SEPARATELY

DIMENSIONS ARE IN:		INCH [MM]		APPROVALS		ANDERSON POWER PRODUCTS	
UNLESS OTHERWISE STATED				DRAWN	CMS	1/25/2002	TITLE CATALOG NUMBER: SB120-HDL-RED SB120 PLASTIC HANDLE
TOLERANCES:				CHECKED	DJD	2/1/2002	
DECIMALS (INCH)	DECIMALS (MM)	ANGLES		MFG APPRV	UFN	2/5/2002	
.XX ±.02	.X ±.5	±2°		QC APPRV	CHB	2/5/2002	
SURFACE FINISH:				ENG APPRV	RPO	2/1/2002	SIZE A
MACHINED		128µin [3.2µ]		DWG NO.		113923S2	
MOLDED		64µin [1.6µ]		REV.		2	
MATERIAL: PC				SCALE		NONE	
FINISH:				CADFILE		01575	
3rd ANGLE PROJECTION				SHEET		1 OF 1	
-CAD GENERATED DRAWING- DO NOT MANUALLY UPDATE DO NOT SCALE				CADFILE		01575	

REV.	DESCRIPTION	APPRV	DATE
2	ECRN-15046 REVISE AND REDRAW	TWE	1/18/12
1	ECRN-14075 ADD .25 DIM	JA	10/24/06
REVISIONS			