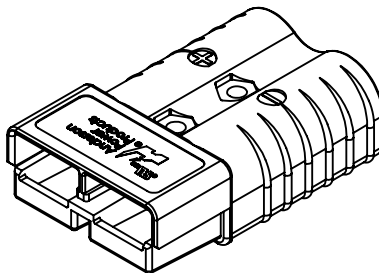
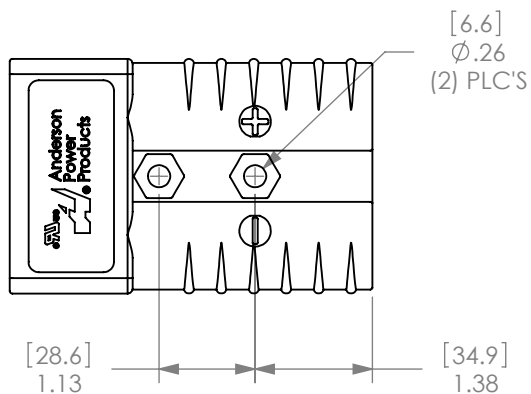


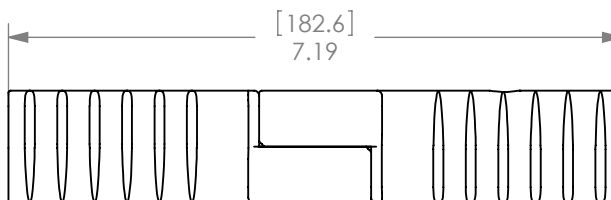
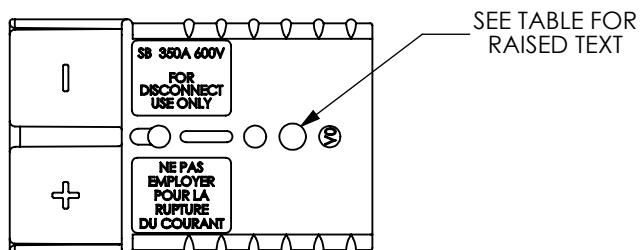
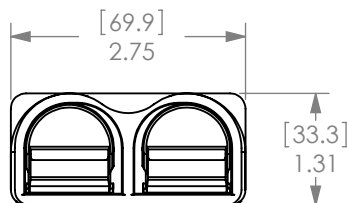
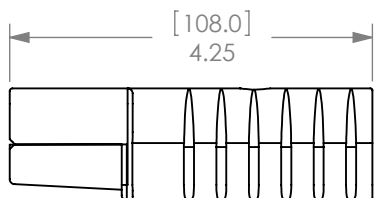
THE INFORMATION CONTAINED IN THIS DRAWING IS THE SOLE PROPERTY OF ANDERSON POWER PRODUCTS. ANY REPRODUCTION IN PART OR WHOLE WITHOUT THE WRITTEN PERMISSION OF ANDERSON POWER PRODUCTS IS PROHIBITED.

Copyright 2009

ANDERSON POWER PRODUCTS RESERVES THE RIGHT TO ALTER PRODUCT TYPES, THEIR TECHNICAL DATA, DIMENSION, STYLE AND ACCESSORIES WITHOUT PRIOR NOTIFICATION.



COLOR	P/N	MAT'L	TEXT
GRAY	906	PC	BLANK
	P906	PC/PBT	"P"
BLUE	912	PC	BLANK
	P912	PC/PBT	"P"
RED	913	PC	BLANK
	P913	PC/PBT	"P"
YELLOW	914	PC	BLANK
	P914	PC/PBT	"P"
GREEN	931	PC	BLANK
	P931	PC/PBT	"P"
ORANGE	932	PC	BLANK
	P932	PC/PBT	"P"
BLACK	2-7250G8	PC	BLANK
	P2-7250G8	PC/PBT	"P"



**MATED PAIR**

NOTES:

1. SPRING/HOUSING ASSEMBLIES ARE cURus RECOGNIZED PER FILE E26226.
2. HOUSINGS ARE KEYS TO ONLY ALLOW MATING WITH THE SAME COLOR HOUSING.
3. FOR ASSEMBLY INSTRUCTIONS SEE DOCUMENT 1S1030A
4. HOUSING ASSEMBLIES ACCOMMODATE ANDERSON CONTACTS FOR WIRE RANGE FROM 1/0 TO 300MCM.

REV.	DESCRIPTION	APPRV	DATE
5	ECRN-15743 ADD BLACK	TWE	11/14/2014
4	ECRN-14933 COLOR & KEYING ADDED	TWE	7/5/11
3	ECRN 14661 - "PC/PBT" WAS "PBT"	CMS	7/7/10
2	ECRN 14391- REDRAW, UPDATE BORDER, ADD TABLE	AMS	3/3/09
REV.	DESCRIPTION	APPRV	DATE

REVISIONS

DIMENSIONS ARE IN:	INCH[MM]
UNLESS OTHERWISE STATED	
TOLERANCES:	
DECIMALS (INCH)	DECIMALS (MM) ANGLES
.XX ±.02	.X ±.5 ±2°
SURFACE FINISH:	
MACHINED	128 [3.2]
MOLDED	64 [1.6]
MATERIAL: SPRINGS - STAINLESS STEEL HOUSINGS - SEE TABLE	
FINISH:	
	3rd ANGLE PROJECTION

APPROVALS	
DRAWN	CMS 03/19/99
CHECKED	DJD 03/19/99
MFG APP	CHB 04/20/99
QC APP	DJM 04/20/99
ENG APP	UFN 04/19/99

		ANDERSON POWER PRODUCTS	
TITLE			
350A DUAL POLE SPRING & HOUSING			
SIZE	DWG NO.	REV.	
A/A4	114132S1	5	
SCALE	CADFILE	SHEET	
NONE	01002	1 OF 2	

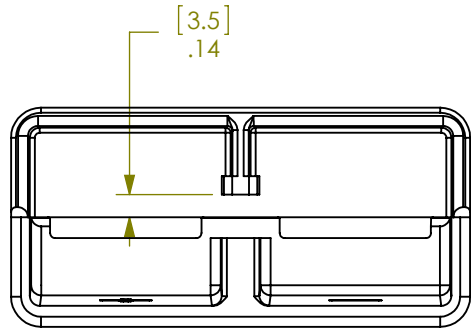
THE INFORMATION CONTAINED IN THIS DRAWING IS THE SOLE PROPERTY OF ANDERSON POWER PRODUCTS. ANY REPRODUCTION IN PART OR WHOLE WITHOUT THE WRITTEN PERMISSION OF ANDERSON POWER PRODUCTS IS PROHIBITED.

Copyright 2010

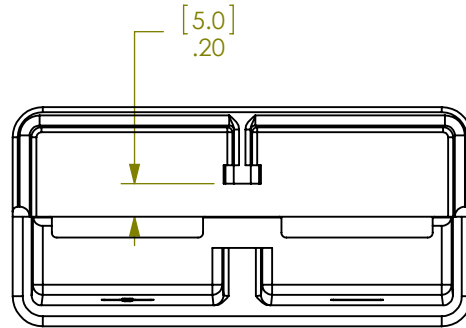
ANDERSON POWER PRODUCTS RESERVES THE RIGHT TO ALTER PRODUCT TYPES, THEIR TECHNICAL DATA, DIMENSION, STYLE AND ACCESSORIES WITHOUT PRIOR NOTIFICATION.

D

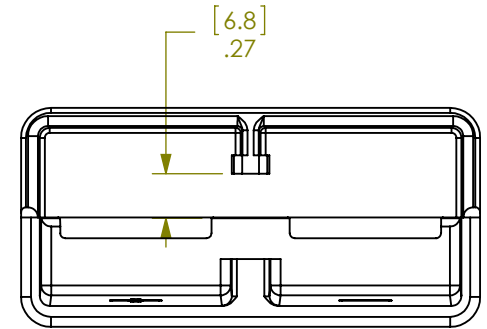
D



GRAY VOLTAGE KEYING



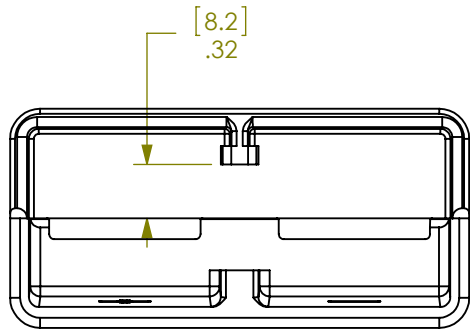
BLACK & BLUE VOLTAGE KEYING



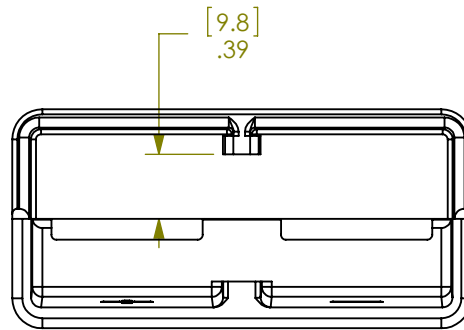
RED VOLTAGE KEYING

C

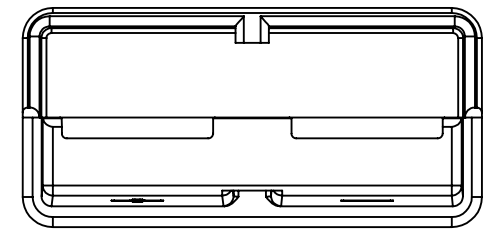
C



YELLOW VOLTAGE KEYING



GREEN VOLTAGE KEYING



ORANGE VOLTAGE KEYING

B

B

A

A

DIMENSIONS ARE IN: INCH[MM] MM[INCH]		DRAWN TWE 6/30/11		<b>ANDERSON POWER PRODUCTS</b>
UNLESS OTHERWISE STATED TOLERANCES:		CHECKED ***		
DECIMALS (INCH)	DECIMALS (MM)	ANGLES	MFG APP ***	<b>350A DUAL POLE SPRING &amp; HOUSING</b>
.XX ± .02	.X ± .5	±2°	QC APP ***	
SURFACE FINISH:		ENG APP ***		SIZE A/A4
MACHINED 128 [3.2]				DWG NO. 114132S1
MOLDED 64 [1.6]				REV. 5
MATERIAL: SPRINGS - STAINLESS STEEL HOUSINGS - SEE TABLE				SCALE NONE
FINISH: *****				CADFILE 01002
3rd ANGLE PROJECTION		1st ANGLE PROJECTION		SHEET 2 OF 2
CAD GENERATED DRAWING - DO NOT MANUALLY UPDATE - DO NOT SCALE				