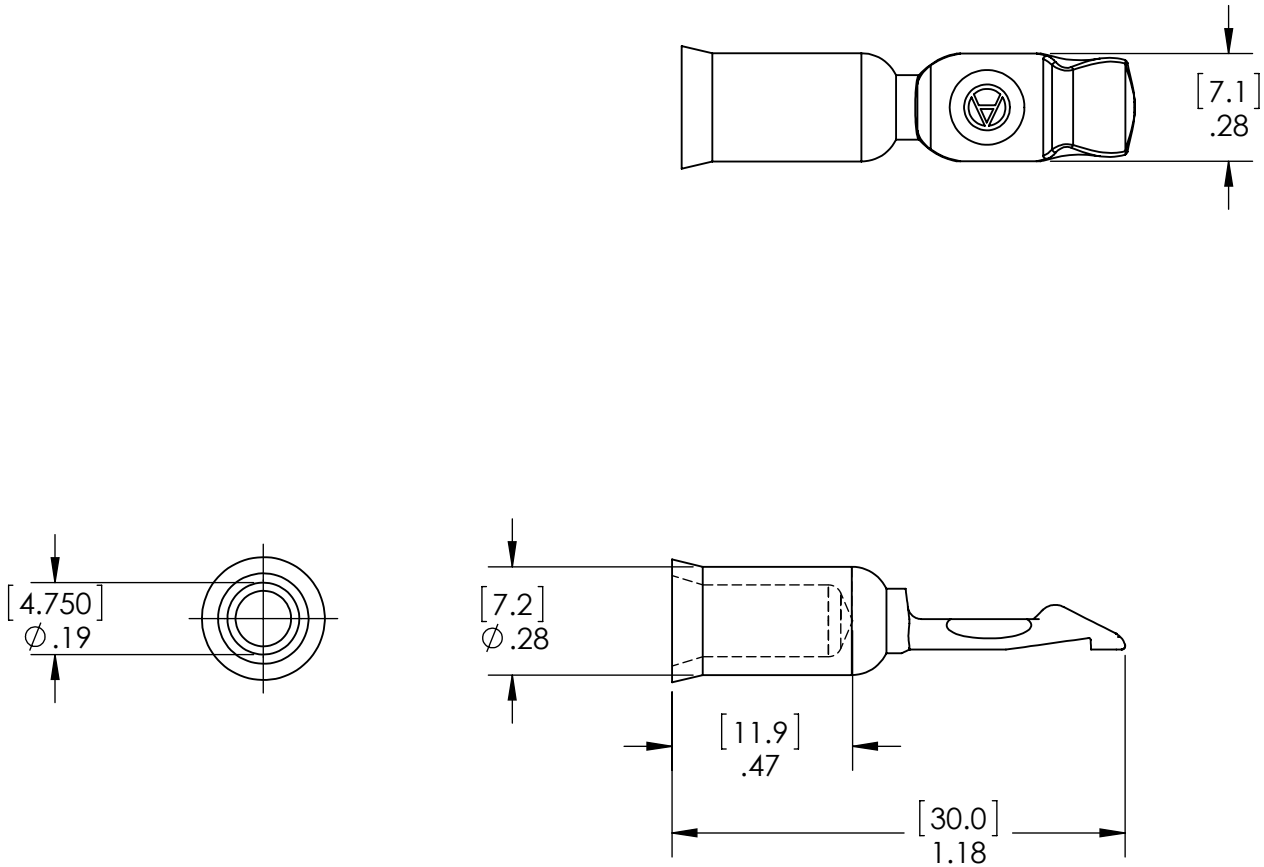


CAT. P/N: 5952



5	ECRN-15243	TWE	9/25/2012
4	ECRN-14452	CHB	6/17/09
3	ECRN-13652	CHB	12/03
2	ECRN-13635	CHB	11/11/03
REV.	DESCRIPTION	APPRV	DATE

REVISIONS

DIMENSIONS ARE IN:		INCH [MM]		APPROVALS		DATE		 ANDERSON POWER PRODUCTS			
UNLESS OTHERWISE STATED:				DRAWN	DMM		9/11/2003				
TOLERANCES:				CHECKED	DJD		11/1/2003	TITLE OUTLINE PP75/SB50 CONTACT FOR 10MM ² AND #8 WIRE HIGH DETENT			
DECIMALS (INCH)		DECIMALS (MM)		MFG APPRV		DSM				11/1/2003	
.XX ± .02		.X ± .5		QC APPRV		RPO				11/1/2003	
ANGLES		±2°		ENG APPRV		UFN				11/1/2003	
SURFACE FINISH:				MATERIAL:		FINISH:		SIZE			
MACHINED		128µin [3.2µ]		COPPER ALLOY		SILVER PLATE		A			
MOLDED		64µin [1.6µ]						DWG. NO.			
								114155S1			
								REV.			
								5			
 3RD ANGLE PROJECTION				-CAD GENERATED DRAWING- DO NOT MANUALLY UPDATE DO NOT SCALE				SCALE		SHEET	
								NONE		1 OF 1	
								03813			