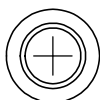
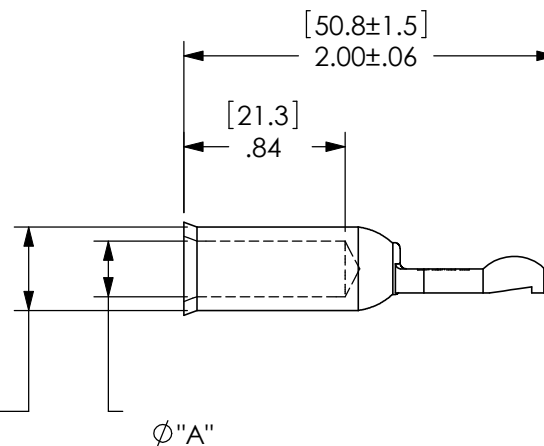
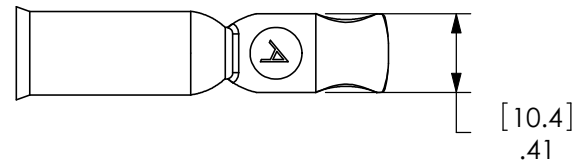
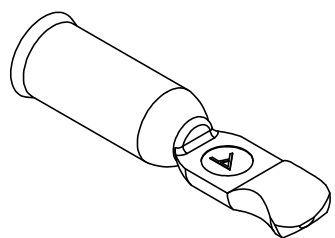


THE INFORMATION CONTAINED IN THIS DRAWING IS THE SOLE PROPERTY OF ANDERSON POWER PRODUCTS. ANY REPRODUCTION IN PART OR WHOLE WITHOUT THE WRITTEN PERMISSION OF ANDERSON POWER PRODUCTS IS PROHIBITED.

Copyright 2008

ANDERSON POWER PRODUCTS RESERVES THE RIGHT TO ALTER PRODUCT TYPES, THEIR TECHNICAL DATA, DIMENSION, STYLE AND ACCESSORIES WITHOUT PRIOR NOTIFICATION.



CAT. NO.	WIRE SIZE	"A"	
		INCH	MM
1319	#2 AWG	0.34	8.6
1319G4	#4 AWG	0.29	7.4
1319G6	#6 AWG	0.22	5.6

DIMENSIONS ARE IN:	INCH[MM]	APPROVALS		 ANDERSON POWER PRODUCTS TITLE PP120 CONTACT
UNLESS OTHERWISE STATED		DRAWN	CMS 6/21/99	
TOLERANCES:		CHECKED	DJD 6/21/99	
DECIMALS (INCH) .XX ±.02		MFG APP	CHB 6/21/99	
DECIMALS (MM) .X ±.5		QC APP	DJM 6/22/99	
ANGLES ±2°		ENG APP	UFN 6/22/99	
SURFACE FINISH:		SIZE	DWG NO.	REV.
MACHINED 128 [3.2] ✓		A/A4	114156S1	1
MOLDED 64 [1.6] ✓		SCALE	CADFILE	SHEET
MATERIAL: COPPER ALLOY		NONE	01054	1 OF 1
FINISH: SILVER PLATE		CAD GENERATED DRAWING - DO NOT MANUALLY UPDATE DO NOT SCALE		

1	ECRN 14358 - REVISE, REDRAW, CONSOLIDATE	AMS	12/16/08
REV.	DESCRIPTION OF CHANGES	APPROVED	DATE



8 7 6 5 4 3 2 1