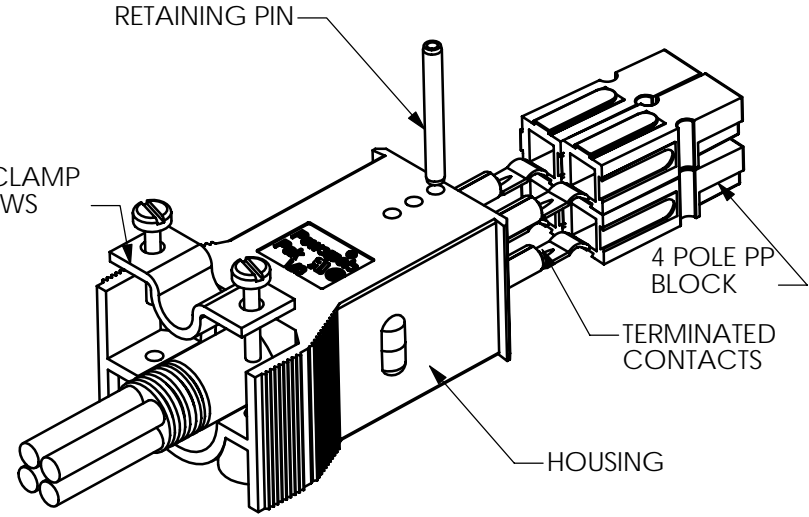
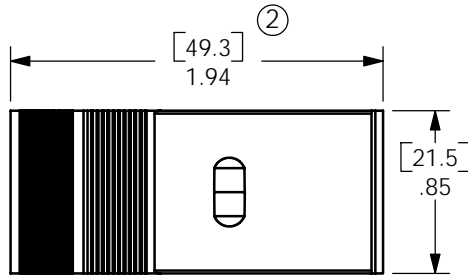
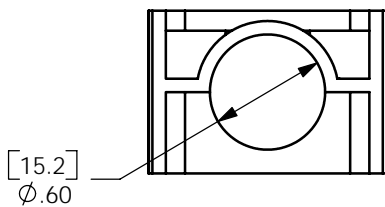
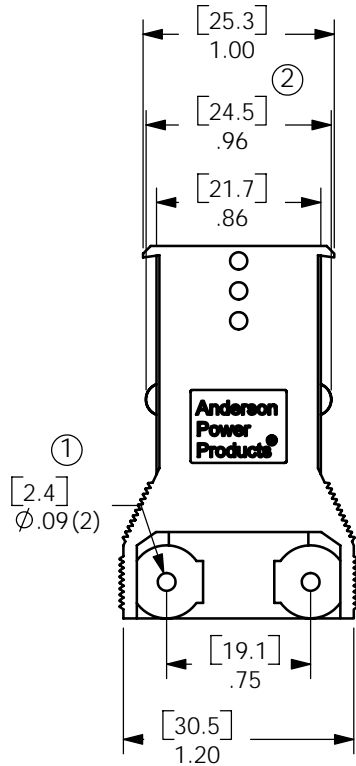


THE INFORMATION CONTAINED IN THIS DRAWING IS THE SOLE PROPERTY OF ANDERSON POWER PRODUCTS. ANY REPRODUCTION IN PART OR WHOLE WITHOUT THE WRITTEN PERMISSION OF ANDERSON POWER PRODUCTS IS PROHIBITED.

| | |
|------------------------|--|
| DATE | 12/16/04 |
| BY: | DJD |
| DESCRIPTION OF CHANGES | CMS 1/15/08 |
| REV. | 1 ECRN 13769: Ø.09 WAS Ø.08 |
| | 2 ECRN 14227: 1.94 WAS 1.96. ADD LATCH STOPS |



TYPICAL ASSEMBLY- REFER TO CATALOG FOR AVAILABLE CONFIGURATIONS

| ITEM NO. | PART OR IDENTIFYING NO. | NOMENCLATURE OR DESCRIPTION | MATERIAL SPECIFICATION | QTY REQD |
|---|-------------------------|--|------------------------|---|
| COPYRIGHT 1999 ANDERSON POWER PRODUCTS. ALL RIGHTS RESERVED. UNAUTHORIZED REPRODUCTION HEREBY PROHIBITED. | | | | |
| DIMENSIONS ARE IN INCHES DIMENSIONS IN PARENTHESES [] ARE IN MILLIMETERS | | CAD GENERATED DRAWING, DO NOT MANUALLY UPDATE | | ANDERSON POWER PRODUCTS |
| TOLERANCES ARE: 2PL- ±.02 [±.5] | | APPROVALS | DATE | |
| MATERIALS: <i>POLYCARBONATE</i> | DRAWN | CMS | 8/3/99 | CATALOG NUMBER 1461G1 2X2 POWERPOLE PAK PLUG WITHOUT LATCH |
| | CHECKED | DJD | 8/5/99 | |
| FINISH | RESP ENG | UFN | 8/13/99 | |
| DO NOT SCALE DRAWING | MFG ENG | CHB | 8/5/99 | SIZE A |
| | QUAL ENG | RO | 8/10/99 | SPECIFICATION: 114166S1 |
| SCALE NONE | | | CADFILES/01091 | REV. 2 |
| | | | SHEET 1 OF 1 | |