

8 7 6 5 4 3 2 1

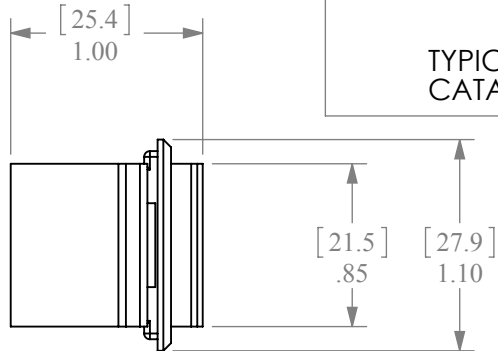
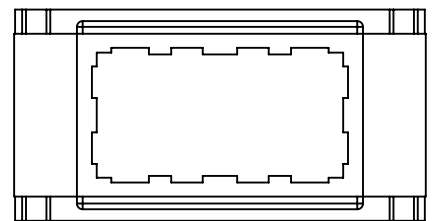
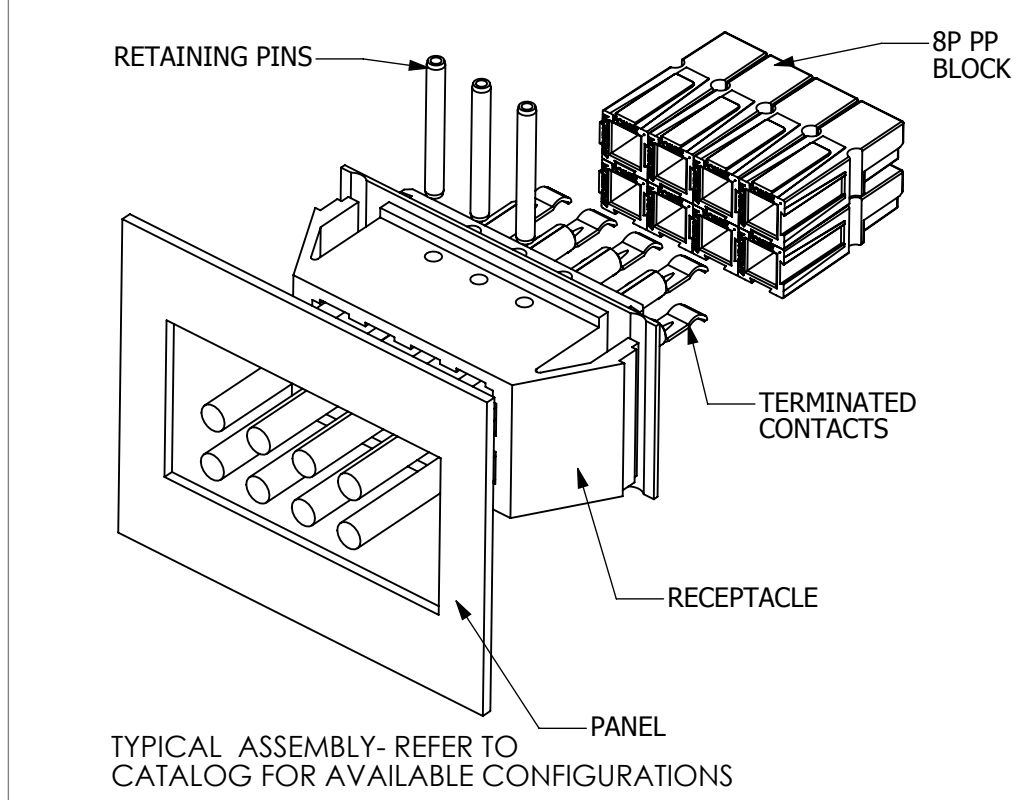
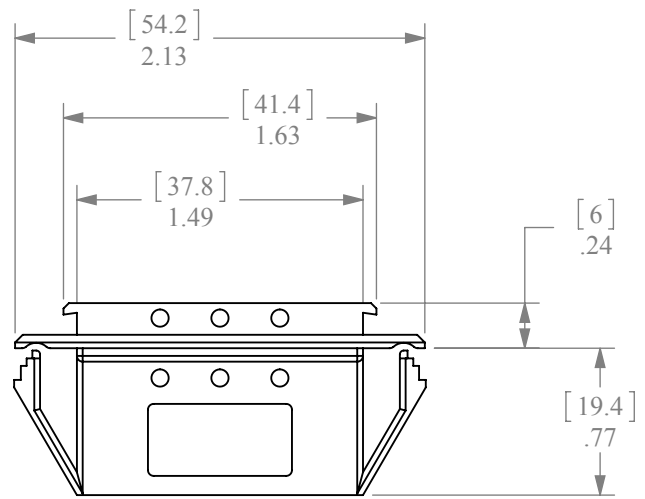
THE INFORMATION CONTAINED IN THIS DRAWING IS THE SOLE PROPERTY OF ANDERSON POWER PRODUCTS. ANY REPRODUCTION IN PART OR WHOLE WITHOUT THE WRITTEN PERMISSION OF ANDERSON POWER PRODUCTS IS PROHIBITED.

**Copyright 1999**

ANDERSON POWER PRODUCTS RESERVES THE RIGHT TO ALTER PRODUCT TYPES, THEIR TECHNICAL DATA, DIMENSION, STYLE AND ACCESSORIES WITHOUT PRIOR NOTIFICATION.

D  
C  
B  
A

D  
C  
B  
A



NOTES:

- DESIGNED FOR PANELS .003-.134" (.76-3.4mm) THICK
- KNOCKOUT SIZE 1.00 X 1.88 (25.4 X 47.8)

DIMENSIONS ARE IN:	INCH [MM]	<i>APPROVALS</i>			<b>ANDERSON POWER PRODUCTS</b>		
UNLESS OTHERWISE STATED		DRAWN	8/20/1999		TITLE		
TOLERANCES:		CMS		CATALOG NUMBER 1470G3			
DECIMALS (INCH)	DECIMALS (MM)	CHECKED	8/20/1999	2X4 POWERPOLE PAK			
.XX ± .015	.X ± .38	DJD		SNAP-IN RECEPTACLE			
.XXX ± .005	.XX ± .13	MFG APPRV	8/23/1999	SIZE	DWG NO.	REV.	
SURFACE FINISH:		CHB		A	114167S3	1	
MACHINED	128µin [3.2µ]	QC APPRV	8/23/1999	SCALE	CADFILE	SHEET	
MOLDED	64µin [1.6µ]	RO		1:1	01096	1 OF 1	
MATERIAL:		ENG APPRV	8/21/1999	-CAD GENERATED DRAWING- DO NOT MANUALLY UPDATE DO NOT SCALE			
POLYCARBONATE		UFN					
FINISH:							
NONE							

1	ECRN-15527	TWE	12/5/2013
REV.	DESCRIPTION	APPRV	DATE
REVISIONS			

8 7 6 5 4 3 2 1