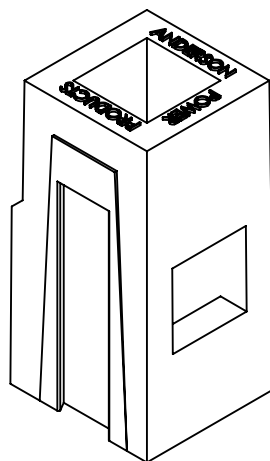
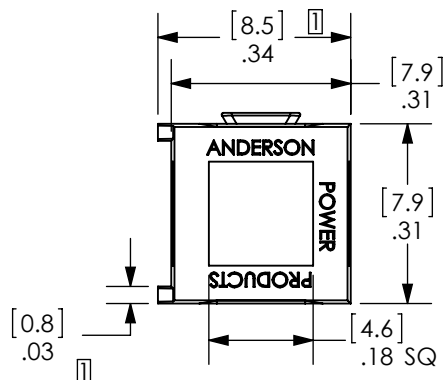


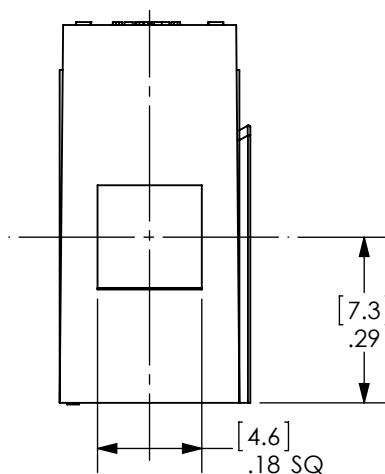
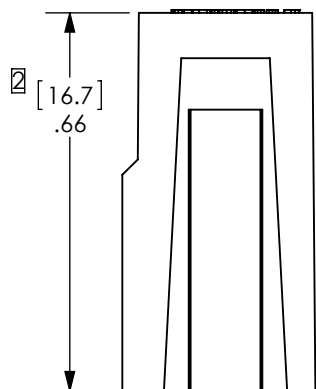
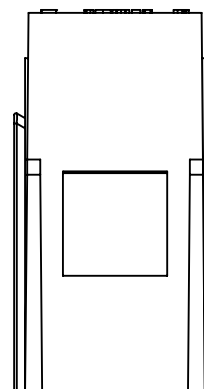
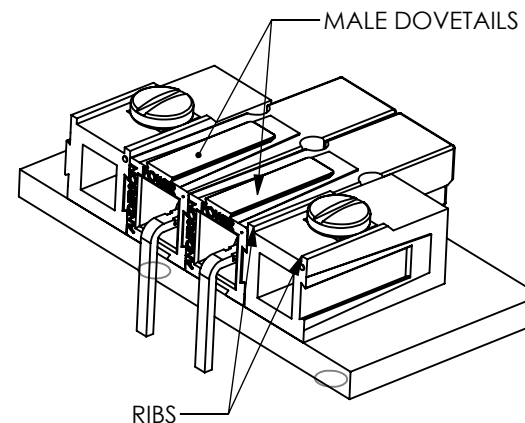
THE INFORMATION CONTAINED IN THIS DRAWING IS THE SOLE PROPERTY OF ANDERSON POWER PRODUCTS. ANY REPRODUCTION IN PART OR WHOLE WITHOUT THE WRITTEN PERMISSION OF ANDERSON POWER PRODUCTS IS PROHIBITED.

**Copyright 2000**

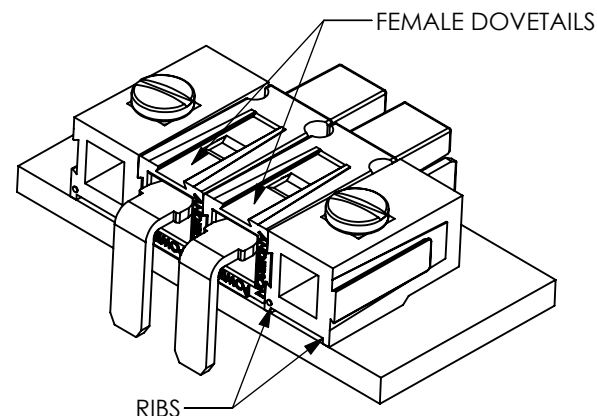
ANDERSON POWER PRODUCTS RESERVES THE RIGHT TO ALTER PRODUCT TYPES, THEIR TECHNICAL DATA, DIMENSION, STYLE AND ACCESSORIES WITHOUT PRIOR NOTIFICATION.



**ORIENTATION FOR 25 AMP PCB SERIES**



**ORIENTATION FOR HIGH POWER PCB SERIES**



**NOTES:**

1. IT IS RECOMMENDED THAT POWERPOLE MOUNTING WINGS BE USED IN PAIRS
2. POWERPOLE CONNECTORS AND HARDWARE NOT INCLUDED
3. WINGS ARE AVAILABLE IN BLUE (1399G8) OR RED (1399G9)

DIMENSIONS ARE IN:		INCH [MM]		<i>APPROVALS</i>		<b>ANDERSON POWER PRODUCTS</b>	
UNLESS OTHERWISE STATED				DRAWN	CMS	10/29/1999	TITLE CATALOG NUMBER 1399G8, 1399G9 PP15/45 GENDERLESS MOUNTING WING
TOLERANCES:				CHECKED	DJD	11/1/1999	
DECIMALS (INCH) DECIMALS (MM) ANGLES .XX ± .02 .X ± .5 ± 2°				MFG APPRV	CHB	5/31/2000	
SURFACE FINISH:				QC APPRV	RPO	5/31/2000	
MACHINED 128µin [3.2µ] MOLDED 64µin [1.6µ]				ENG APPRV	UFN	5/31/2000	SIZE A
MATERIAL: PC				FINISH:		DWG NO. 114206S1	
3rd ANGLE PROJECTION				-CAD GENERATED DRAWING- DO NOT MANUALLY UPDATE DO NOT SCALE		REV. 2	
REVISIONS				SCALE	CADFILE		SHEET
				NONE	01135		1 OF 1

2	ECRN-15735	TWE	10/24/2014
1	ECRN-14641 ADD RIBS	CMS	8/5/10
REV.	DESCRIPTION	APPRV	DATE