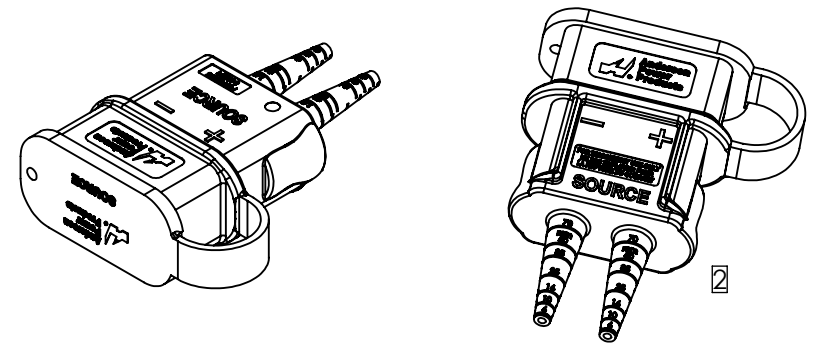
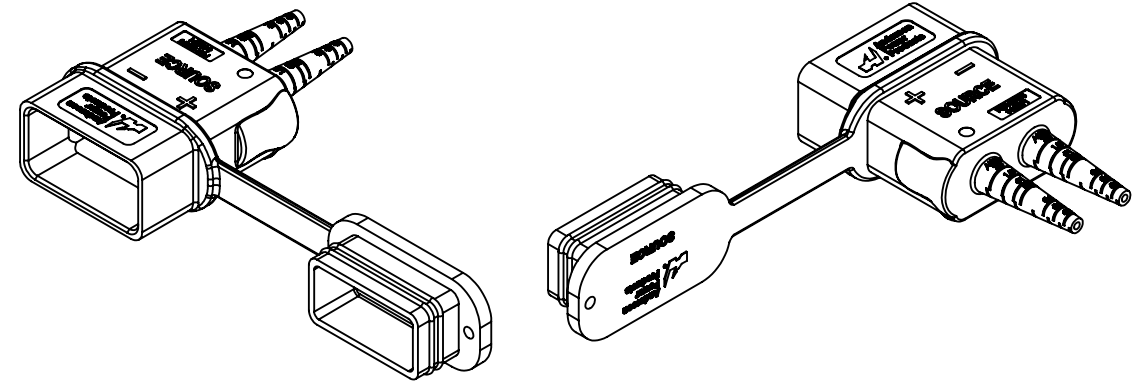


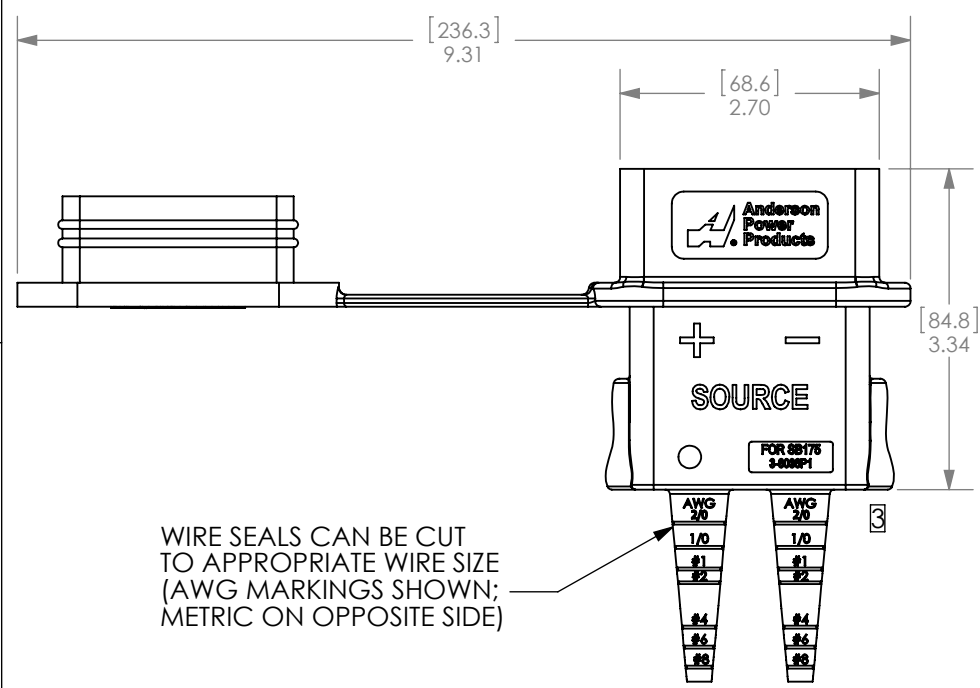
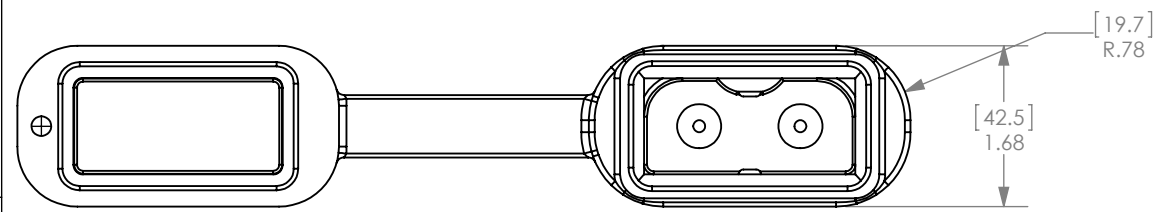
THE INFORMATION CONTAINED IN THIS DRAWING IS THE SOLE PROPERTY OF ANDERSON POWER PRODUCTS. ANY REPRODUCTION IN PART OR WHOLE WITHOUT THE WRITTEN PERMISSION OF ANDERSON POWER PRODUCTS IS PROHIBITED.

Copyright 2013

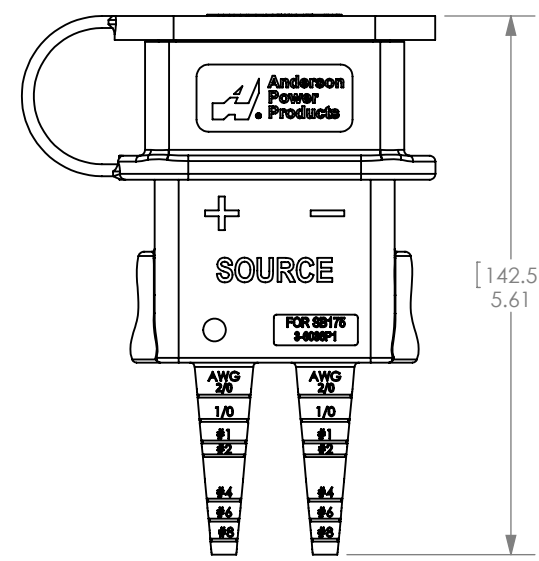
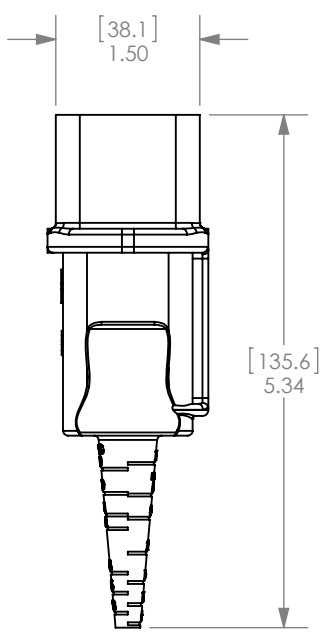
ANDERSON POWER PRODUCTS RESERVES THE RIGHT TO ALTER PRODUCT TYPES, THEIR TECHNICAL DATA, DIMENSION, STYLE AND ACCESSORIES WITHOUT PRIOR NOTIFICATION.



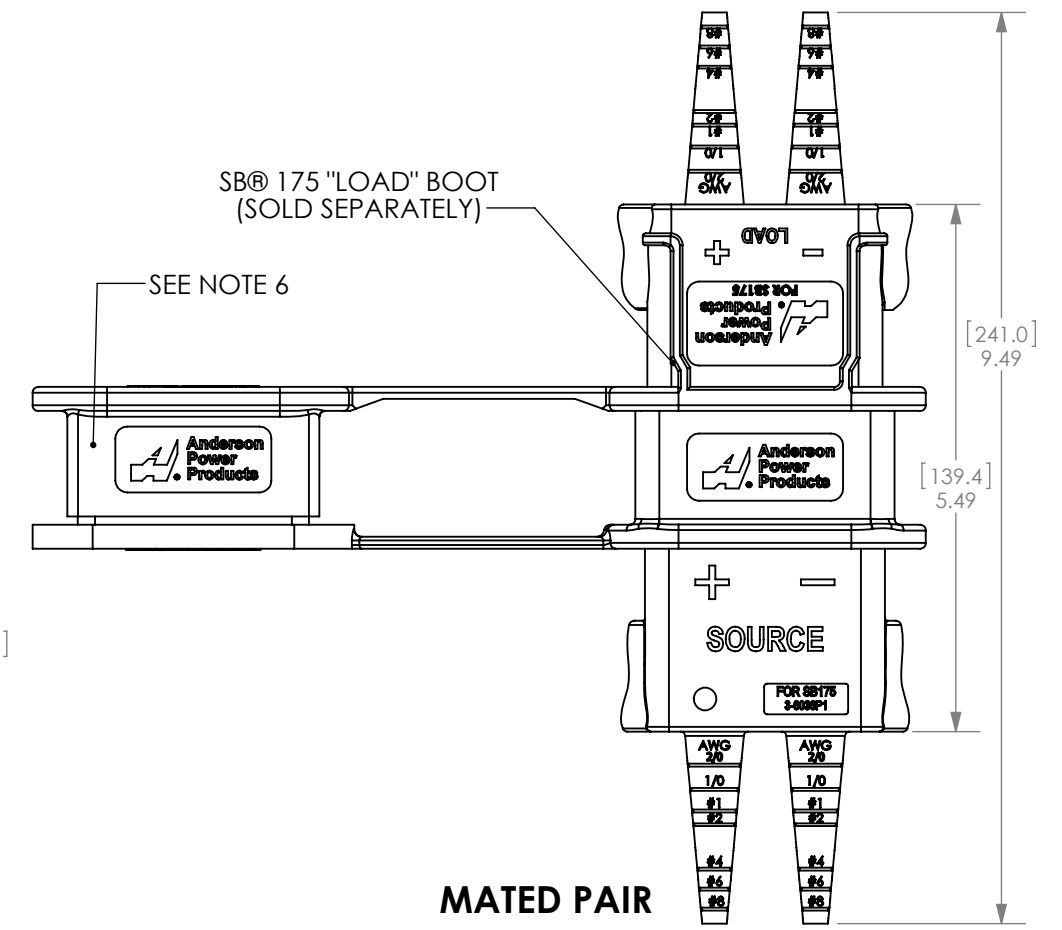
SEE NOTE 5



WIRE SEALS CAN BE CUT TO APPROPRIATE WIRE SIZE (AWG MARKINGS SHOWN; METRIC ON OPPOSITE SIDE)



COVER CLOSED



MATED PAIR

- NOTES:
1. MATERIAL - TPE
 2. INTENDED FOR USE WITH SB@ 175 CONNECTOR SERIES (SOLD SEPARATELY)
 3. REFER TO THE FOLLOWING ASSEMBLY INSTRUCTIONS: 1S1030A FOR SB@ CONNECTOR SERIES 1S6596 FOR SB@ ENVIRONMENTAL BOOTS
 4. "SOURCE" BOOT INTENDED FOR USE WITH CONNECTOR ATTACHED TO POWER SOURCE
 5. IN THE UNMATED CONDITION, SECURE THE COVER TO THE BOOT FOR ENVIRONMENTAL PROTECTION
 6. IN THE MATED CONDITION, SECURE COVERS TOGETHER TO PREVENT PARTICULATES FROM GATHERING IN THE COVERS.

REV.	DESCRIPTION	APPRV	DATE
4	ECRN 15779	CMS	2/23/2015
3	ECRN 15737: TEXT CHANGE	CMS	11/5/2014
2	ECRN 15678	CMS	7/25/2014
1	ECRN 15518A	NTS	12/03/2013
REV.	DESCRIPTION	APPRV	DATE

DIMENSIONS ARE IN:		INCH [MM]		APPROVALS			ANDERSON POWER PRODUCTS		
UNLESS OTHERWISE STATED				DRAWN	LLD	5/2/2013	TITLE OUTLINE DRAWING SB@175 ENVIRONMENTAL BOOT WITH COVER SOURCE BOOT P/N: 3-6036P1		
TOLERANCES:				CHECKED	CMS	5/6/2013			
DECIMALS (INCH)	DECIMALS (MM)	ANGLES		MFG APPRV	CHB	5/6/2013			
.XX ± .02	.X ± .5	± 2°		QC APPRV	UFN	10/14/2013			
SURFACE FINISH:				ENG APPRV	BD	10/14/2013	SIZE	DWG NO.	REV.
MACHINED 128µin [3.2µ]							B	B02172S1	4
MOLDED 64µin [1.6µ]							SCALE	CADFILE	SHEET
MATERIAL: SEE NOTE # 1				-CAD GENERATED DRAWING- DO NOT MANUALLY UPDATE DO NOT SCALE			NONE	03941	1 OF 1
FINISH:									